

Index

.060" (1.5 mm) Shrouded Tip Jack (Solder or Crimp)	6
.060" (1.5 mm) Uninsulated Tip Jack (Solder or Crimp)	6
Insulated .125" (3.2mm) Diameter	4
Insulated Deluxe	3
Insulated Metal Clad: Military Type	2
Insulated Metal Clad: Standard Type	3
Insulated Standard	4
Insulated Standard: Rib-Loc® Type	2

Tip Jacks

Insulated Standard: Rib-Loc® Type

SPECIFICATIONS

Contact: Brass body per QQ-B-626D with wrap around beryllium copper spring per QQ-C-553

Finish: Silver

Body: Nylon 6/6 per ASTM D4066

Panel Thickness: Up to .375" (9.05mm)

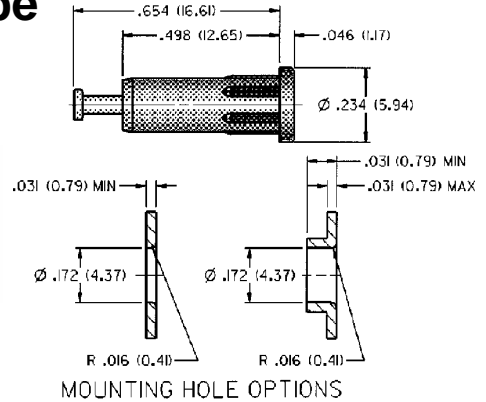
RATINGS

Current: 5 amps

Breakdown Voltage: 3500 Vrms minimum +

Contact Resistance: 0.005 ohms maximum

Adjacent Jack C: 1 pF nominal



SILVER PLATING			
PART NO.	COLOR	PART NO.	COLOR
105-1041-001	White	105-1044-001	Green
105-1042-001	Red	105-1047-001	Yellow
105-1043-001	Black	105-1050-001	Blue

For Standard Tip Plug: .080" (2mm) Diameter

FEATURES:

- Machined contact with turret terminal
- Installs by pressing into mounting hole, no mounting hardware required
- Closed entry blocks access or probes greater than .085" (2.16mm)
- Nylon UL approved for self extinguishing

Insulated Metal Clad: Military Type

SPECIFICATIONS

Contact: Brass per QQ-B-626D with wrap around beryllium copper spring per QQ-C-533

Finish: Gold

Body: Nylon 6/6 per ASTM D4066

Threaded Brass Jacket: Per QQ-B-626D, nickel plated

Hardware: Nickel plated washer and nut (unassembled)

Panel Thickness: Up to .218" (5.45mm)

RATINGS

Current: 10 amps

Breakdown Voltage: 5700 Vrms minimum +

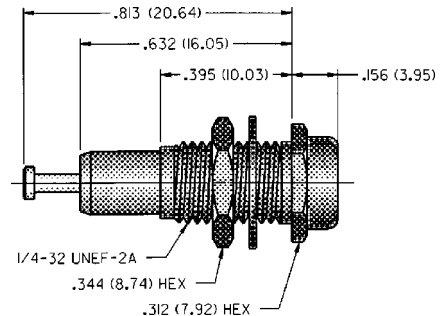
Contact Resistance: 0.004 ohms maximum

Contact-To-Panel C: 2 pF nominal

Manufactured to meet MIL-C-39024/10



GOLD PLATING		
JCI PART NO.	TO MIL-SPEC.	PART NO. CROSS REFERENCE
PART NO.	COLOR	MIL-C-39024/10
105-0201-200	White	-01
105-0202-200	Red	-02
105-0203-200	Black	-03
105-0208-200	Brown	-04
105-0204-200	Green	-05
105-0206-200	Orange	-06
105-0210-200	Blue	-07
105-0207-200	Yellow	-08
105-0213-200	Gray	-09
105-0212-200	Violet	-10



For Standard Tip Plug: .080" (2mm) Diameter

FEATURES:

- Machined contact with turret terminal
- For military or industrial applications
- Closed entry blocks access of probes greater than .085" (2.16mm)
- Nylon UL approved for self extinguishing

Tip Jacks

Insulated Metal Clad: Standard Type



SPECIFICATIONS

Contact: Phosphor bronze per QQ-B-750

Finish: Silver

Body: Nylon 6/6 per ASTM D4066

Threaded Brass Jacket: Per QQ-B-626D, nickel plated

Panel Thickness: Up to .281" (7.10mm)

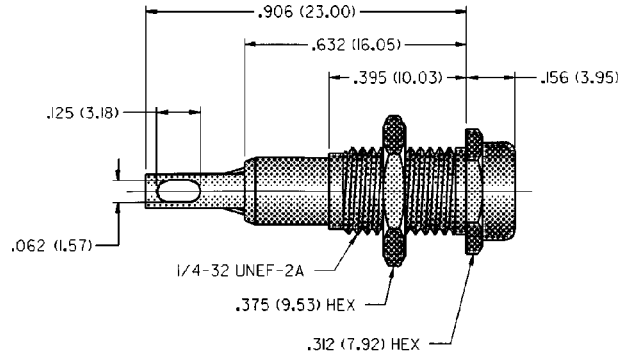
RATINGS

Current: 10 amps

Breakdown Voltage: 5700 Vrms minimum +

Contact Resistance: 0.010 ohms maximum

Contact-To-Panel C: 2 pF nominal



For Standard Tip Plug: .080" (2mm) Diameter
FEATURES:

- Formed contact with slotted terminal
- Nylon UL approved for self extinguishing

SILVER PLATING			
PART NO.	COLOR	PART NO.	COLOR
105-0251-001	White	105-0257-001	Yellow
105-0252-001	Red	105-0258-001	Brown
105-0253-001	Black	105-0260-001	Blue
105-0254-001	Green	105-0262-001	Violet
105-0256-001	Orange	105-0263-001	Gray

Insulated Deluxe

SPECIFICATIONS

Contact: Brass per QQ-B-626D with wrap around beryllium copper spring per QQ-C-533

Finish: Silver

Body: Nylon 6/6 per ASTM D4066

Hardware: Nickel plated nut (unassembled)

Body Thread Stripping Torque: 0.4 lb. in (4.5 kg. cm.)

Panel Thickness: Up to .437" (11.10mm)

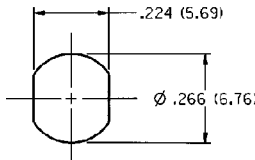
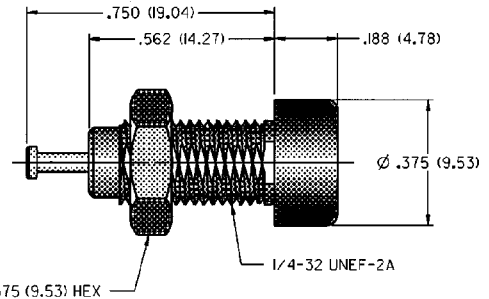
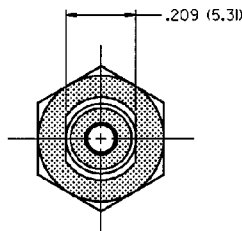
RATINGS

Current: 10 amps

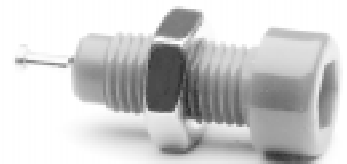
Breakdown Voltage: 5700 Vrms minimum +

Contact Resistance: 0.010 ohms maximum

Contact-To-Panel C: 2 pF nominal



MOUNTING HOLE LAYOUT



For Standard Tip Plug: .080" (2mm) Diameter
FEATURES:

- Machined contact with turret terminal
- Hex socket head .188" (4.77mm) for ease in mounting
- Closed entry blocks access of probes greater than .085" (2.16mm)
- Nylon UL approved for self extinguishing

SILVER PLATING			
PART NO.	COLOR	PART NO.	COLOR
105-0601-001	White	105-0607-001	Yellow
105-0602-001	Red	105-0608-001	Brown
105-0603-001	Black	105-0610-001	Blue
105-0604-001	Green	105-0612-001	Violet
105-0606-001	Orange	105-0613-001	Gray

Tip Jacks

APPLICATION • Connection to test equipment • Power supplies • Electrical instruments

Insulated Standard

SPECIFICATIONS:

Contact: Phosphor bronze per QQ-B-750

Finish: Bright tin

Body: Nylon 6/6 per ASTM D4066

Hardware: Nickel plated nut (unassembled)

Body Thread Stripping Torque: 4.0 lb. in.
(4.5 kg. cm.)

Panel Thickness: Up to .437" (11.10mm)

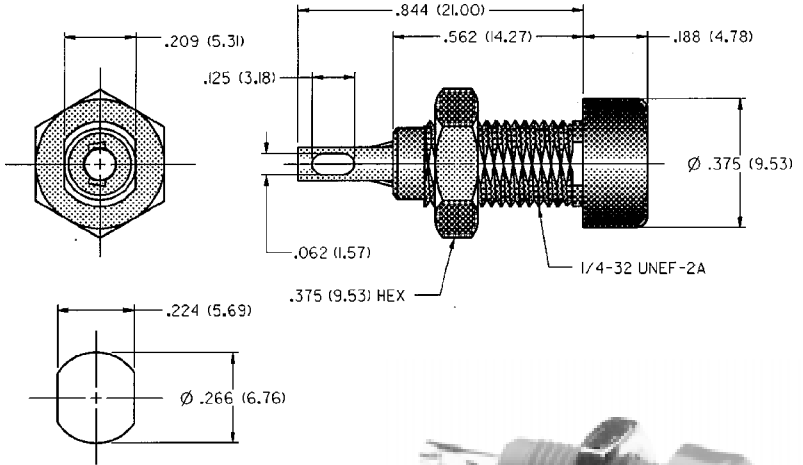
RATINGS

Current: 10 amps

Breakdown Voltage: 5700 Vrms minimum +

Contact Resistance: 0.010 ohms maximum

Contact-To-Panel C: 2 pF nominal



MOUNTING HOLE LAYOUT



BRIGHT TIN PLATING			
PART NO.	COLOR	PART NO.	COLOR
105-0801-001	White	105-0807-001	Yellow
105-0802-001	Red	105-0808-001	Brown
105-0803-001	Black	105-0810-001	Blue
105-0804-001	Green	105-0812-001	Violet
105-0806-001	Orange	105-0813-001	Gray

For Standard Tip Plug: .080" (2mm) Diameter

FEATURES:

- Formed contact with slotted terminal
- Hex socket head .188" (4.7mm) for ease in mounting
- Nylon UL approved for self extinguishing

Insulated .125" (3.2mm) Diameter

SPECIFICATIONS:

Contact: Phosphor bronze per QQ-B-750

Finish: Bright tin

Body: Nylon 6/6 per ASTM D4066

Hardware: Nickel plated nut (unassembled)

Body Thread Stripping Torque: 4.0 lb. in.
(4.5 kg. cm.)

Panel Thickness: Up to .437" (11.10mm)

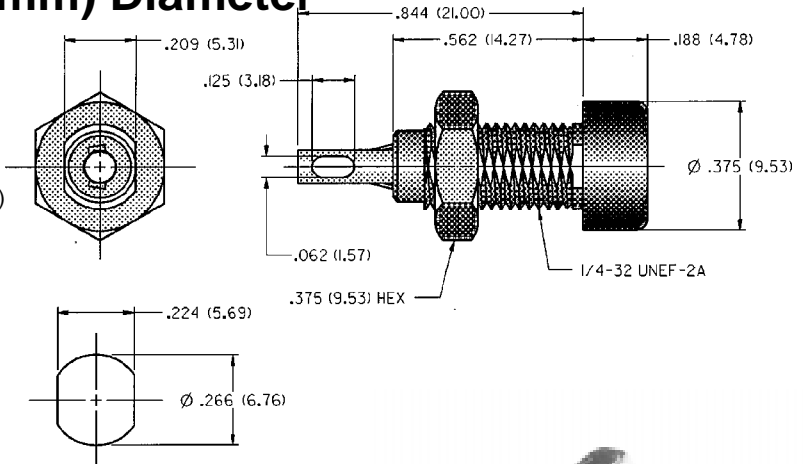
RATINGS

Current: 10 amps

Breakdown Voltage: 5700 Vrms minimum +

Contact Resistance: 0.010 ohms maximum

Contact-To-Panel C: 2 pF nominal



MOUNTING HOLE LAYOUT



BRIGHT TIN PLATING	
PART NO.	COLOR
105-1001-001	White
105-1002-001	Red
105-1003-001	Black

For Special Tip Plug: .125" (3.2mm) Diameter

FEATURES:

- Formed contact with slotted terminal
- Hex socket head .188" (4.77mm) for ease in mounting
- Nylon UL approved for self extinguishing

Tip Jacks

APPLICATION • Connection to test equipment • Power supplies • Electrical instruments

Insulated Tip Jack and Sleeve Assembly

SPECIFICATIONS

Contact: Brass per QQ-B-626D with wrap around beryllium copper spring per QQ-C-533

Finish: Silver

Body: Nylon 6/6 per ASTM D4066

Hardware: Nylon handle (assembled)

Body Thread Stripping Torque: 4.0 lb. in. (4.5 kg.cm.)

Panel Thickness: Up to .125" (3.2mm)

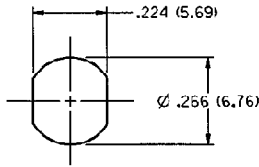
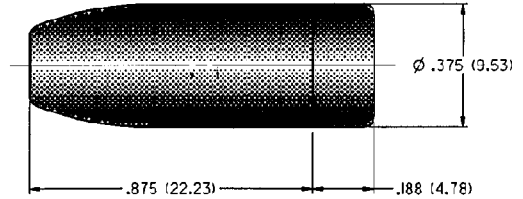
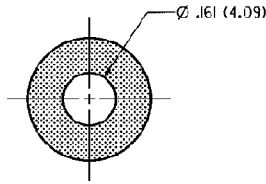
RATINGS

Current: 10 amps

Breakdown Voltage: 5700 Vrms minimum †

Contact Resistance: 0.010 ohms maximum

Contact-To-Panel C: 2 pF nominal



MOUNTING HOLE LAYOUT



SILVER PLATING			
PART NO.	COLOR	PART NO.	COLOR
105-0701-001	White	105-0704-001	Green
105-0702-001	Red	105-0707-001	Yellow
105-0703-001	Black	105-0710-001	Blue

For Standard Tip Plug: .080" (2mm) Diameter FEATURES:

- Machined contact with turret terminal
- Includes deluxe tip jack 105-060X-001
- For panel or line applications
- Hex socket head .188" (4.77mm) for ease in mounting
- Nylon UL approved for self extinguishing

Tip Jacks

APPLICATION • Connections to monitoring equipment

.060" (1.5 mm) Shrouded Tip Jack (Solder or Crimp)

SPECIFICATIONS

Contact: Brass body per QQ-B-626D with enclosed beryllium copper spring per QQ-C-533

Finish: Gold or Silver

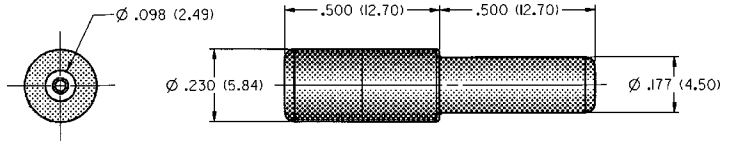
Body: Polycarbonate per ASTM D 3935

RATINGS

Current: 7 amps

Breakdown Voltage: 3500 Vrms minimum +

Contact Resistance: 0.010 ohms maximum



SILVER PLATING				
CRIMP TYPE 20 GAUGE	CRIMP TYPE 22 GAUGE	CRIMP TYPE 24 GAUGE	CRIMP TYPE 26 GAUGE	COLOR
105-1401-021	105-1401-031	105-1401-041	105-1401-051	White
105-1402-021	105-1402-031	105-1402-041	105-1402-051	Red
105-1403-021	105-1403-031	105-1403-041	105-1403-051	Black
105-1404-021	105-1404-031	105-1404-041	105-1404-051	Green
105-1407-021	105-1407-031	105-1407-041	105-1407-051	Yellow
105-1410-021	105-1410-031	105-1410-041	105-1410-051	Blue
GOLD PLATING				
CRIMP TYPE 20 GAUGE	CRIMP TYPE 22 GAUGE	CRIMP TYPE 24 GAUGE	CRIMP TYPE 26 GAUGE	COLOR
105-1401-022	105-1401-032	105-1401-042	105-1401-052	White
105-1402-022	105-1402-032	105-1402-042	105-1402-052	Red
105-1403-022	105-1403-032	105-1403-042	105-1403-052	Black
105-1404-022	105-1404-032	105-1404-042	105-1404-052	Green
105-1407-022	105-1407-032	105-1407-042	105-1407-052	Yellow
105-1410-022	105-1410-032	105-1410-042	105-1410-052	Blue

For Standard Tip Plug: .060" (1.5mm) Diameter

FEATURES:

- Field Repealable
- Autoclavable
- Solder or Crimp

See page 140 for crimp tool.

.060" (1.5 mm) Uninsulated Tip Jack (Solder or Crimp)

SPECIFICATIONS

Contact: Brass body per QQ-B-626D with enclosed beryllium copper spring per QQ-C-533

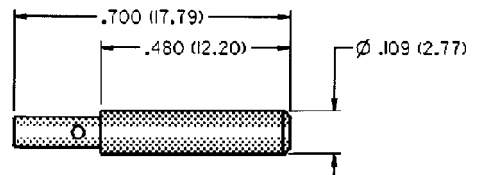
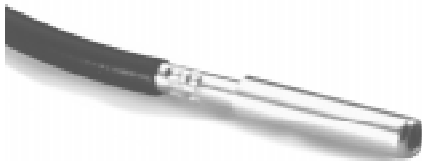
Finish: Gold or silver

RATINGS

Current: 7 amps

Breakdown Voltage: 3500 Vrms minimum +

Contact Resistance: 0.010 ohms maximum



GOLD PLATING			
CRIMP TYPE 20 GAUGE	CRIMP TYPE 22 GAUGE	CRIMP TYPE 24 GAUGE	CRIMP TYPE 26 GAUGE
105-1400-022	105-1400-032	105-1400-042	105-1400-052
SILVER PLATING			
CRIMP TYPE 20 GAUGE	CRIMP TYPE 22 GAUGE	CRIMP TYPE 24 GAUGE	CRIMP TYPE 26 GAUGE
105-1400-021	105-1400-031	105-1400-041	105-1400-051

For Standard Tip Plug: .060" (1.5mm) Diameter

FEATURES:

- Closed Entry Contact for Ideal Insert Molding
- Accepts 20 Gauge Wire or Smaller
- Solder or Crimp

See page 140 for crimp tool.